

Commercial solutions

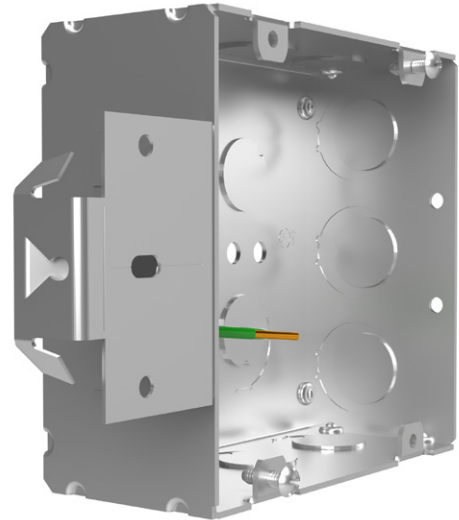
4-11/16" square boxes for stud mount applications

Overview:

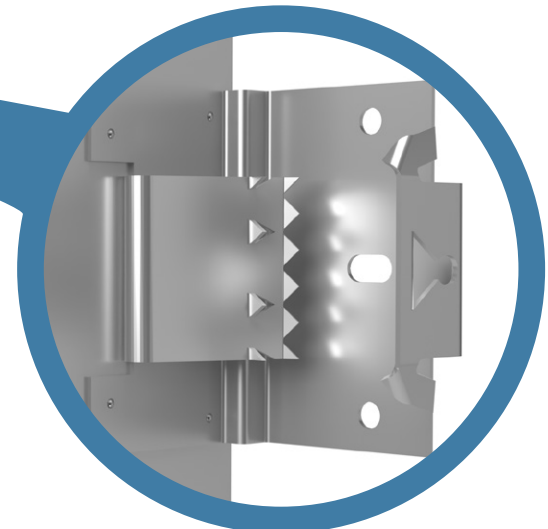
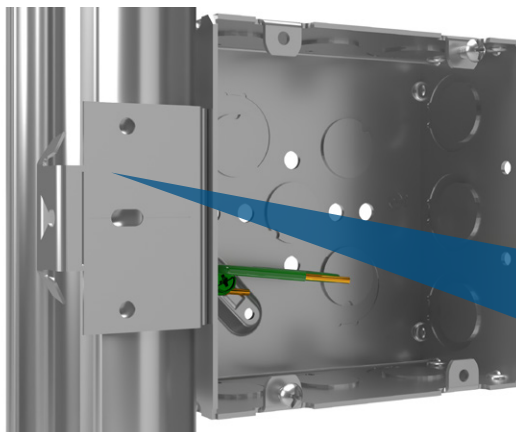
Eaton's Crouse-Hinds 4-11/16" square boxes configured for use in stud mount applications.

Features:

- 4-11/16" square, 2-1/8" deep, 44.0 cubic inch capacity
- Hands-free bracket allows for easy mounting and installation on either side of the stud
- Available with single stud brackets
- Backside or far side support accessories must be purchased separately
- UL Listed

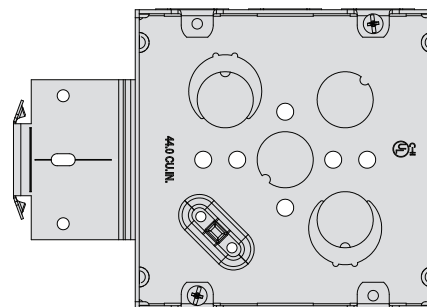


Hands-free bracket grips the stud

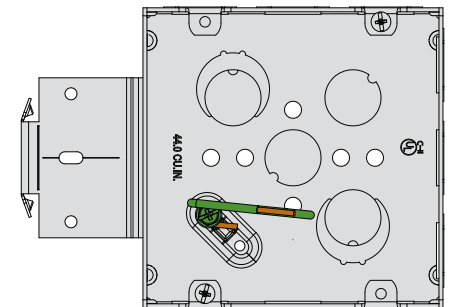


Model number	Description	Grounding method	Carton QTY
TP5MSB	4-11/16" box, welded, single hands-free bracket	Ground bump	25
TP5MSBPF	4-11/16" box, welded, single hands-free bracket	Solid #12 ground wire	25

	Sides	Bottom
Knockouts	(9) 1/2 & 3/4" E	(2) 1/2", (2) 1/2 & 3/4" E



TP5MSB

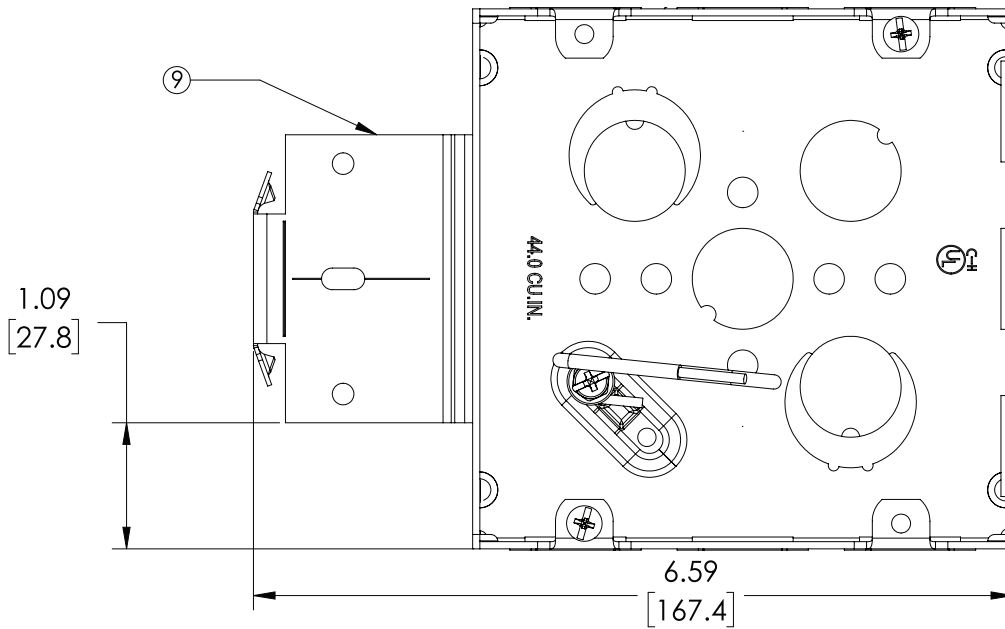


TP5MSBPF



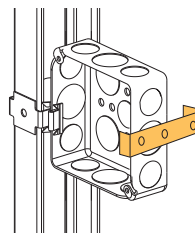
Powering Business Worldwide

Dimensions



Backside or far side support accessories (ordered separately)

Model number	UPC	Description	Carton QTY
BF1-40	78101118320	Box stabilizer for 2-½" studs	100
BF1-56	78101118325	Box stabilizer for 3-½" studs	100
BF1-64	78101118330	Box stabilizer for 4" studs	100
BF1-96	78101118335	Box stabilizer for 6" studs	100



Eaton
 1000 Eaton Boulevard
 Cleveland, OH 44122
 United States
 Eaton.com

Eaton's Crouse-Hinds
 1201 Wolf Street
 Syracuse, NY 13208
 Crouse-Hinds.com

© 2021 Eaton
 All Rights Reserved
 Printed in USA
 Publication No. 5497-0921
 September 2021

Eaton is a registered trademark.
 All other trademarks are property
 of their respective owners.